



UNSTOPPABLE WHEELCHAIR SEAT ADAPTER



To attach your Unstoppable wheelchair bag to your wheelchair you will need to attach the seat adapter.

The adapter sits on the wheelchair seat canvas between the canvas and the wheelchair cushion fixed in place via hook and loop fastenings.

Attach hook and loop self adhesive strips

1. Most wheelchair seats are fitted with hook and loop strips with the hook surface attached to the seat. The placing of the strips depends on the width of the wheelchair seat. Fit the loop side (soft side) of the included self adhesive strips to the **underside** of the seat plate by first peeling off the paper backing. Ensure the two strips are the same distance apart as the opposing strips on the wheelchair seat canvas.



Self adhesive strips take 12 hours to stick firmly.

2. On the **top** surface of the seat adapter place the hook (hard surfaced) strips to line up with the strips fitted to the underside of your wheelchair cushion. (*optional*)



If your wheelchair seat does not have hook and loop fixings or the spacing of them is wider apart than the seat adapter it will be necessary to fit additional hook and loop strips to your seat canvas.

3. Lift the bottom of the backrest upholstery (often attached to the seat canvas by a hook and loop fastener) and slide the seat adapter through the gap between seat canvas and backrest upholstery.
4. Place the seat adapter so the **fixing tube** sits to the rear and parallel to the wheelchair seat canvas. It is important the adapter is not sitting squint on the seat. leave enough gap between the fixing tube and the backrest so you can fit your hand around the fixing tube.



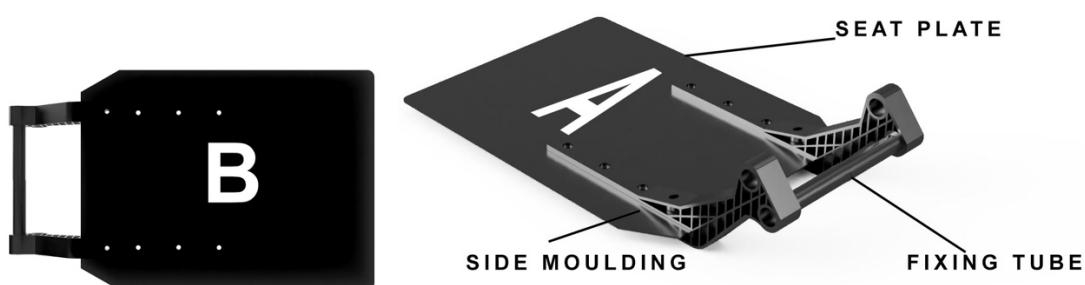
If your wheelchair has a backrest bar you will need to place the seat adapter out far enough so the backrest bar of the wheelchair does not inhibit access to the adapter when seated in the wheelchair. The more **seat plate** on the seat canvas the more rigid and efficiently the adapter will function. It will not matter if some of the **seat plate** sits beyond the seat canvas, however, it is recommend to keep as much of the **seat plate** on the seat canvas as possible.

4a. The seat adapter has two fixing tube positions.

The correct position for the fixing tube depends on the rear ride height of your wheelchair and the bag type you are using. The seat adapter can be used **A** side up or **B** side up depending on individual requirements.



Fixing Tube positions



Seat Adapter sides

Examples:

Unstoppable Gear bag (87L) used on wheelchair with 17" rear ride height = **Fixing tube** position A and **seat plate** A side face up.

Unstoppable Compact bag (41L) used on wheelchair with 17" rear ride height = **Fixing tube** position B and **seat plate** A side face up.

Unstoppable Compact bag (41L) used on wheelchair with 19" rear ride height = **Fixing tube** position A and **seat plate** B side face up.



When using the Unstoppable **Compact** bag it is important that the bag sits at an angle not more than 60°. A greater angle (vertical) may result in the bag becoming stuck under the wheelchair when moving backwards.

CONNECTING:

1. Place the bag so the connecting bracket **(5)** on the underside of the bag rests on the fixing tube of your seat adapter.

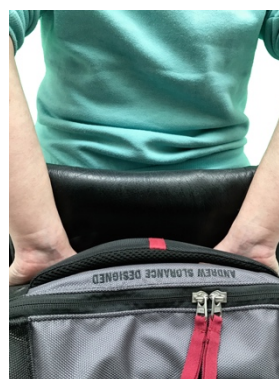


CAUTION FINGER TRAP

Ensure fingers are clear before pushing down on the bracket

You will find the method of attaching your bag that works best for you. Here are some options.

1. *Using the palms of both hands push down together and firmly. The bracket should be tight fitting requiring some effort to click over the bar. The tighter the fit the better the performance.*
2. *Another method of connecting is to connect one side and then the other by pushing down on the top corners of the bag one side at a time. This staggered process can make connecting tight fittings easier.*
3. *Wrap your hands around the bracket and backrest bar/ fixing tube and squeeze the bracket so it clips into place.*



DISCONNECTING:

To remove you bag from your chair, hold onto **one** of the upper side handles located on the left and right of your gear bag and pull upwards.

1.



1 x tubular sleeve 18mm

2.



2 x M6 bolt.

3.



2 x M6 Nut.

4.



12 x M6 spacer.

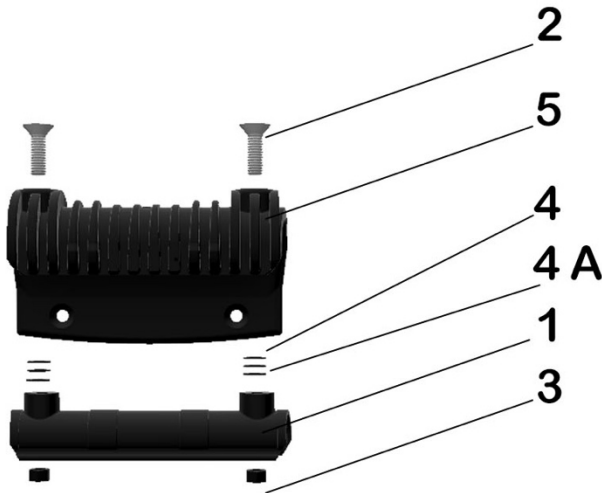
4A.



2 x retaining

5.

1 x bracket (fitted)



It is not recommended to remove bracket (5) from the bag unless it is damaged and requires replacing. The wheels on you bag can also be replaced if damaged.

SET UP:

Located in the top of the bracket (5) connected to your gear bag there are two screws (2). Using a 4mm hex wrench (not supplied) loosen the two screws and remove the tubular sleeve (1) (take care not to drop the M6 nuts (3) Remove the retaining washer (4A) located on the screw shafts either side behind the tubular sleeve.

SPACER GUIDE



Bags supplied with Seat adapters have their brackets fitted with four spacers and one retaining washer on each top screw.

Adjusting tightness of fit

If you want to make the bag tighter or less tight to clip onto the fixing tube you can do this changing the number of spacers used on the bag bracket.



- Remove spacer to make tighter
- Add spacers to make less tight

Remove/ add equal numbers of plastic spacers **(4)** from each screw shaft left and right **(2)** Replace retaining washers **(4A)** before putting the tubular sleeve **(1)** back in place in bracket **(5)** Insert M6 nut into hex shaped cavity within sleeve ensuring domed top of the nut is facing outward and tighten the two top screws. Repeat the above process until the desired fit is achieved.

GUIDANCE:

The best performance is achieved with the tightest connection you can clip over the Fixing Tube.



When moving heavy loads over thick carpet a tight connection is required so the bag doesn't detach from the chair.

Changing Fixing Tube Position

You will need:

- 8mm socket wrench not supplied
- 4mm hex key not supplied

1. Unbolt the securing bolts on one side moulding
2. Pull the moulded side away and remove the fixing tube
3. Re-position the fixing tube and put the nuts and bolts back and tighten



If using the Seat Adapter with the B side facing up it will be necessary to fit the hook and loop strips in the opposite orientation to using A side up.