



IMPORTANT INFORMATION PLEASE READ FULLY

TWINSET USER GUIDE

To achieve best performance when using your Twinset undertake the following process. This process will determine if you need to adjust the bracket on your bag to fit your wheelchair.

CONNECTING:

1. Place the bag so the connecting bracket (5) on the underside of the bag rests on the backrest bar of your chair.



2. If the bracket is set to the correct size for your chair you will be able to push down using the palms of your hands until the bracket clicks over the backrest bar.



CAUTION FINGER TRAP

Ensure fingers are clear before pushing down on the bracket

Using the palms of both hands push down together and firmly. The bracket should be tight fitting requiring some effort to click over the bar. The tighter the fit the better the performance. Another method of connecting is to connect one side and then the other by pushing down on the top corners of the bag one side at a time. This staggered process can make connecting tight fittings easier.

3. If the bracket is too tight to click over the backrest bar on your chair or the connection is not tight enough once engaged you should follow the *setup process*.

DISCONNECTING:

To remove your bag from your chair, hold onto **one** of the upper side handles located on the left and right of your bag and pull upwards.

CONTENTS



Spare screws, spacers and tubular insert are located inside your roller bag in the lid pocket.

With your Twinset you will have received:

1.



1 x tubular sleeve 18mm (thick construction) / 1 x tubular sleeve 22 mm (thin construction)

2.



2 x M6 x 20 mm screws
2 x M6 x 25 mm screws

3.



2 x M6 Nylock nut

4.



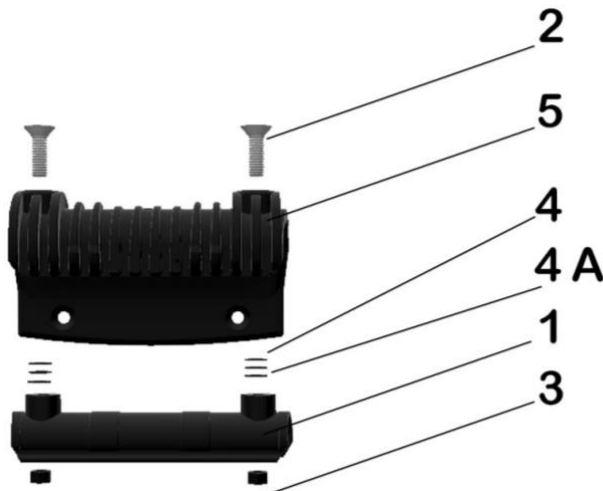
14 x Nylon spacer

4A.



2 x retaining washer

4. 1 x bracket fitted



It is not recommended to remove bracket (5) from the bag unless it is damaged and requires replacing. The wheels on your bag can also be replaced if damaged.

GUIDANCE:

The best performance is achieved with the tightest connection you can clip over the backrest bar on your chair.



When moving heavy loads over thick carpet a tight connection is required so the bag doesn't detach from the chair.

To achieve a good fit for your chair a working combination of sleeve choice 18mm or 22mm combined with the correct number of spacers needs to be found.

The more spacers placed between the sleeve and the bracket the looser the fit will become. The less spacers used the tighter the fit will be.

The tightest fit (fitting the narrowest possible backbar) is achieved with the **thick** 18mm tubular sleeve in combination with the shortest (20mm) screws and no spacers. The loosest fit (fitting the widest possible back bar) comes from using the **thin** 22mm tubular sleeve in combination with the longest screws (25mm) and the maximum number of spacers.



TOP TIPS

- **If the diameter of the backrest bar on your chair is 18 – 20mm the 18mm sleeve is recommended. Backrest bar diameters 21 -23mm should use the 22mm sleeve.**
- **If you are unable to tighten the M6 sleeve nuts check the nuts are inserted the correct way around. The flat end of the nut should go into the hex cavity first with the domed end facing outwards.**
- **The tightest fit offers the best performance. Tight fitting can make clipping over the backrest bar more difficult, try pushing down on one side and then the other. Engaging the connection in two steps makes fitting a tight connect easier and avoids the need to use two hands at the same time.**
- **When using the connected backpack ensure the retaining straps are pulled tight to avoid the backpack slipping. Use the top straps for best performance (see user guide) A separate strap is provided for extra fixing, loop the strap through the top handle of the backpack and the top front facing gear bag handle and pull tight.**

SET UP:



Watch a video [here](#), for a quick guide to adjusting your bracket tightness.

Located in the top of the bracket **(5)** connected to your twinset there are two screws **(2)**. Using a 4mm hex wrench (not supplied) loosen the two screws and remove the tubular sleeve **(1)** (take care not to drop the M6 nuts **(3)**) Remove the retaining washer **(4A)** located on the screw shafts either side behind the tubular sleeve.

BACKREST BAR DIAMETER AND SPACER GUIDE



18mm tubular sleeve	22mm tubular sleeve
<i>18mm bar = 4 spacers</i>	<i>21mm bar = 5 spacers</i>
<i>19mm bar = 5 spacers RGK/ Panthera</i>	<i>22mm bar = 6 spacers Quickie Argon / Argon 2</i>
<i>20mm bar = 6 spacers Ti-Lite</i>	

Making a tighter fit:

Remove equal numbers of plastic spacers **(4)** from each screw shaft left and right **(2)**
Replace retaining washer **(4A)** before putting the tubular sleeve **(1)** back in place in bracket **(5)** Insert M6 nut into hex shaped cavity within sleeve ensuring domed top of the nut is facing outward and tighten the two top screws. Repeat the above process until the desired fit is achieved. If you find the tips of the screws **(2)** are protruding below the sleeve and will touch the bar on your chair use the shorter screws provided.



A small adjustment goes a long way. When setting up avoid over tightening the top screws as leaving some capacity to tighten further will allow room for fine tuning adjustment. Even a half turn of these screws will have a noticeable effect.

To make a less tight fit:

Add plastic spacers **(4)** to the shafts of the two screws **(2)** and if necessary use the longer screws provided. When you have found the correct combination of sleeve **(1)** and spacers **(4)** that best works for you the connection should be stiff to push into place and should fit snug to the backrest bar. Once you have achieved the right connection for your chair, you will not need to adjust the bracket again.



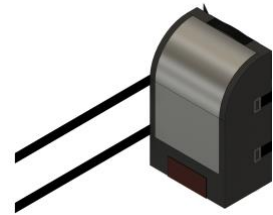
Use the correct length of screws provided to avoid scratching the backrest bar. If the tips of the screws **(2) protrude below the sleeve **(1)** use shorter screws.**

CONNECTING BAG AND BACKPACK

Your bag and backpack can be attached together. The System Trolley + Cabin can also be attached to the front of your Twinset.



1. Unsecure the two hook and loop straps on the front of the large Twinset bag
2. Thread the two straps through the loops situated on the top rear of back of the bag you wish to connect too. We recommend folding over the end of the bag strap so that the hook (hard side) is on top of the loop (soft side). This will stop the strap catching on the back of the bag you are connecting too.



3. Unfold the end of the straps and re thread the two straps back onto the original bag. Pull these as tight as you can for a secure connection. You are now connected.



Watch a demonstration video [here](#) for how to attach additional bags to your Twinset Lite.